

51164 M Thrust ball bearings, single direction

- Popular item

Thrust ball bearings, single direction

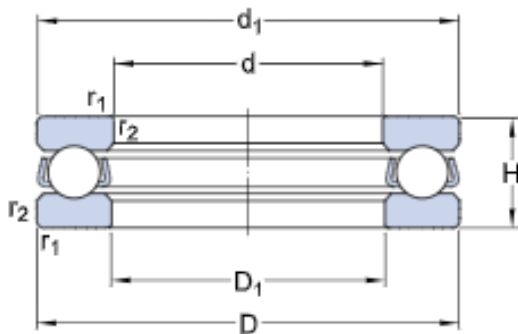
Bearing data

[Tolerances,](#)
table 1

Bearing interfaces

[Seat tolerances for standard conditions,](#)
[Tolerances and resultant fit](#)

Technical specification

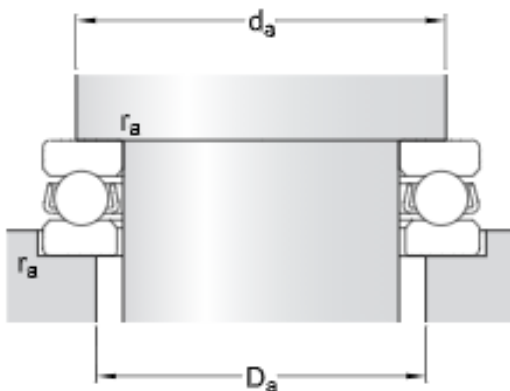


DIMENSIONS

d	320 mm	Bore diameter
D	400 mm	Outside diameter
H	63 mm	Height
d_1	≈ 396 mm	Outside diameter shaft washer
D_1	≈ 324 mm	Inner diameter housing washer
$r_{1,2}$	min. 2 mm	Chamfer dimension washer

ABUTMENT DIMENSIONS

d_a	min. 368 mm	Abutment diameter shaft
D_a	max. 352 mm	Abutment diameter housing
r_a	max. 2 mm	Fillet radius



CALCULATION DATA

C	371 kN	Basic dynamic load rating
C ₀	1 860 kN	Basic static load rating
P _u	36.5 kN	Fatigue load limit
	800 r/min	Reference speed
	1 100 r/min	Limiting speed
A	18	Minimum load factor

MASS

19 kg	Mass bearing (including seat washer where applicable)
-------	---

More information

<p>Product details</p> <p>Designs and variants</p> <hr/> <p>Bearing data</p> <hr/> <p>Loads</p> <hr/> <p>Temperature limits</p> <hr/> <p>Permissible speed</p> <hr/> <p>Mounting</p> <hr/> <p>Designation system</p> <hr/>	<p>Engineering information</p> <p>Principles of rolling bearing selection</p> <hr/> <p>General bearing knowledge</p> <hr/> <p>Bearing selection process</p> <hr/> <p>Bearing interfaces</p> <hr/> <p>Seat tolerances for standard conditions</p> <hr/> <p>Lubrication</p> <hr/> <p>External sealing, mounting and dismantling</p> <hr/> <p>Bearing failure and how to prevent it</p> <hr/>	<p>Tools</p> <p>Bearing Select</p> <hr/> <p>Engineering Calculator</p> <hr/> <p>SimPro Quick</p> <hr/> <p>LubeSelect for SKF greases</p> <hr/> <p>Heater selection tool</p> <hr/>
--	--	---